



DELL DUAL MONITOR ARM – MDA20

# Virtually tool-free installation.



## SIMPLE INSTALLATION

Quickly install this Dell Dual Monitor Arm – MDA20 for a comprehensive monitor and system mounting solution. Dell Quick Release lets you snap on the Dell UltraSharp and P-Series monitors onto the arm easily without tools, and select OptiPlex Micro, Ultra and Wyse systems can be installed as well for an all-in-one solution.



## RAPID DEPLOYMENT

Virtually tool-free installation makes deploying the Dell Dual Monitor Arm simple, while the counterbalance indicator on the side lets you replicate identical tension settings across multiple units rapidly. You can install other monitors with optional VESA mount adapter plates for complete versatility with select PC systems.



## CONVENIENT SWIVEL ADJUSTMENT

The World's first swivel switch that allows you to change the swivel angle without having to remove any part of the monitor arm\* — you can simply adjust the swivel angle on the arm to 180 or 360 degrees conveniently with a flip of the switch.

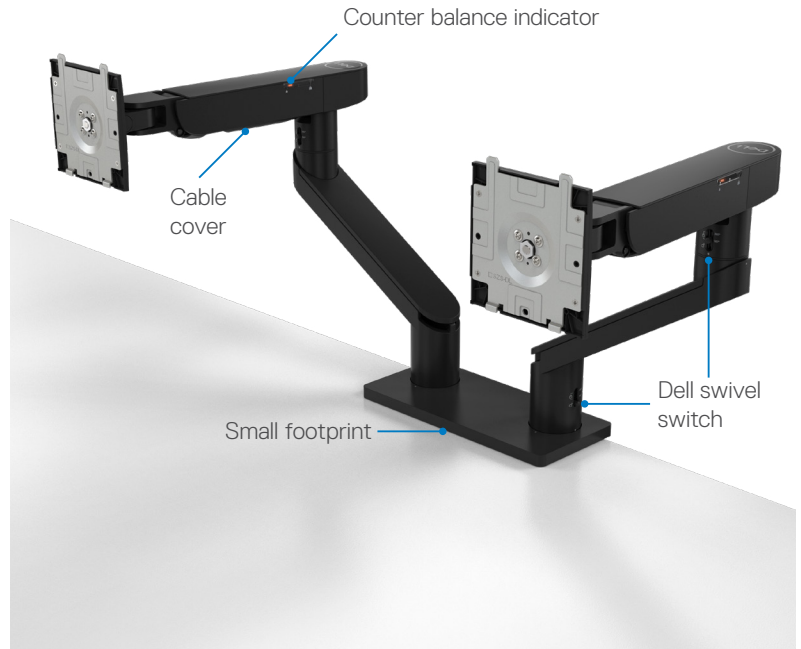
# Features & Technical Specifications



Designed to optimize your viewing distance, the Dell Dual Monitor Arm is built to minimize wasted space behind the arms so that you get plenty of usable area.



World's first dual monitor arm to offer swivel angle adjustment with a flip of a switch.\*



## Dell Dual Monitor Arm – MDA20

<b>Color</b>	Black
<b>Panel Mount</b>	Dell Quick Release mounting VESA Compliant Monitor (100 mm x 100 mm) VESA Adapter Plate sets included
<b>Individual Weight Range per Arm</b>	4.8 to 22.0 lbs (2.2 to 10.0kg)
<b>Individual Monitor Screen Size per Arm</b>	19" to 27" (monitor mounting only). For PC and monitor mounting, please refer to the compatibility matrix.
<b>Individual Monitor Tilt</b>	-35° to +80°
<b>Individual Monitor Swivel</b>	Switchable 180° and 360° at base and joint. 180° at monitor
<b>Individual Monitor Pivot</b>	-/+ 90°
<b>Individual Monitor Height Range</b>	10.5" (266mm)
<b>Individual Monitor Depth Range</b>	21.6" (548mm)
<b>Cable Management</b>	Cable management slot on the upper and lower arms
<b>Installation Type</b>	Clamp up to 2.1" (53mm) desk thickness and Grommet hole up to 2" (50.8mm) diameter
<b>Client Mounting</b>	Select OptiPlex Micro & Ultra and Wyse Thin Clients
<b>Warranty</b>	3 years Limited Hardware Warranty
<b>In the box</b>	Dell Dual Monitor Arm – MDA20 VESA Adapter Plate Allen Key Documentation

Product availability varies by country. Contact your Dell representative or visit [Dell.com](http://Dell.com) to learn more.

\*Based on internal analysis, November 2019.

ID# G19000453